

24.7curtains

WAVE CURTAIN

FITTING GUIDE

🕒 Fitting Time: Approx. 20 Min

⚠️ **WARNING:** PLEASE READ THE INSTRUCTIONS BEFORE HANGING THIS PRODUCT



THE INSTALLATION OF THIS PRODUCT SHOULD BE CONDUCTED BY SOMEONE COMPETENT IN DIY.

WHAT YOU'LL NEED

Screwdriver



Drill

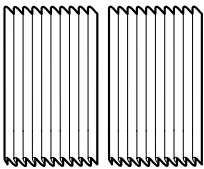


Pencil

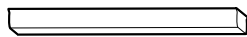


WHAT'S IN THE BOX

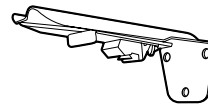
The curtains



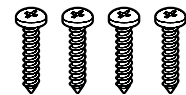
The headrail



Brackets



Screws



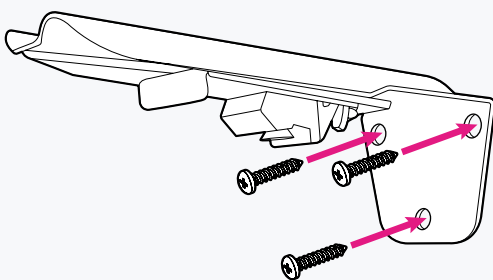
STEP 1 - FITTING THE BRACKETS

Firstly, decide whether you'd like to face-fix or top-fix your curtains.

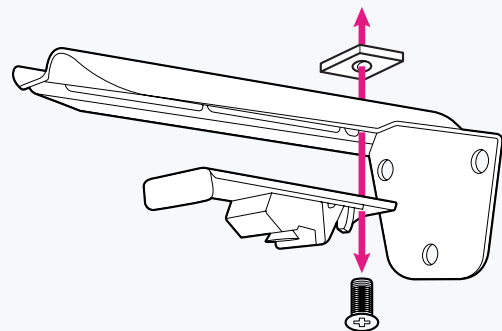
Face-fixing is where the screws are installed horizontally through the back of the brackets and directly onto a vertical surface, such as a wall.

Top-fixing is where the screws are installed bottom-up through the top of the brackets, this method is used to attach curtains to the ceiling or top of the window recess.

Face Fix



Top Fix

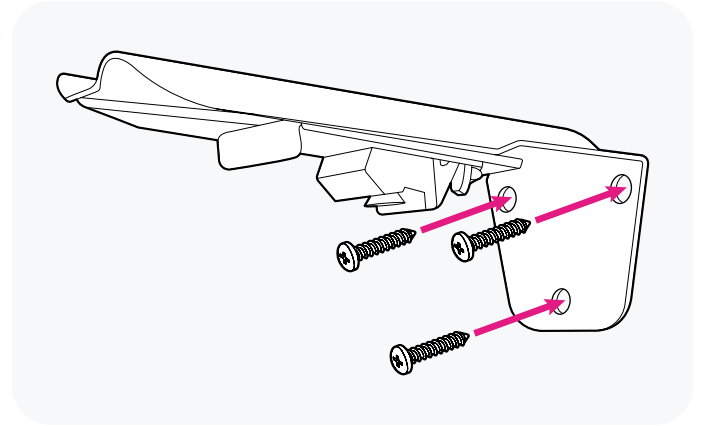


NOTE: If you need to clear window handles, please top-fix with a minimum 7.5cm gap clearance.

FACE-FIXING

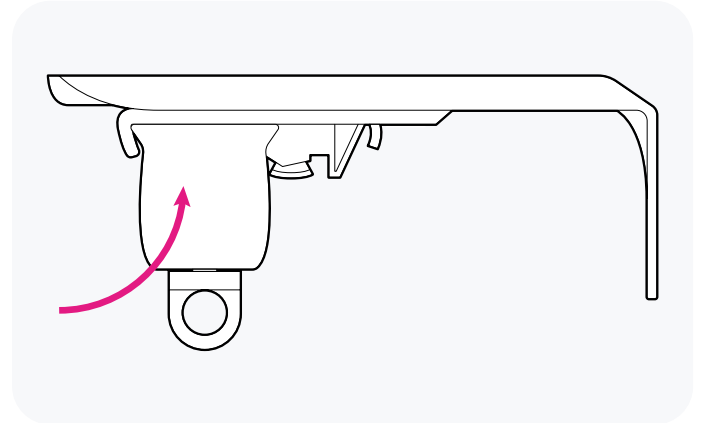
To fit your brackets, using the 3 screw holes face-fix your bracket to the wall.

When you're ready to fit your track, position your brackets a minimum of 10cm from each end, placing the remaining brackets equally across the width of the track.



Using the front underside of the bracket, hook your track and rotate back into place. You may need to apply a little pressure backwards on the white plastic lip behind the 1st screw located on the underside of the bracket to achieve this.

Once in place, adjust the same screw to tighten the hold to secure your track in place.

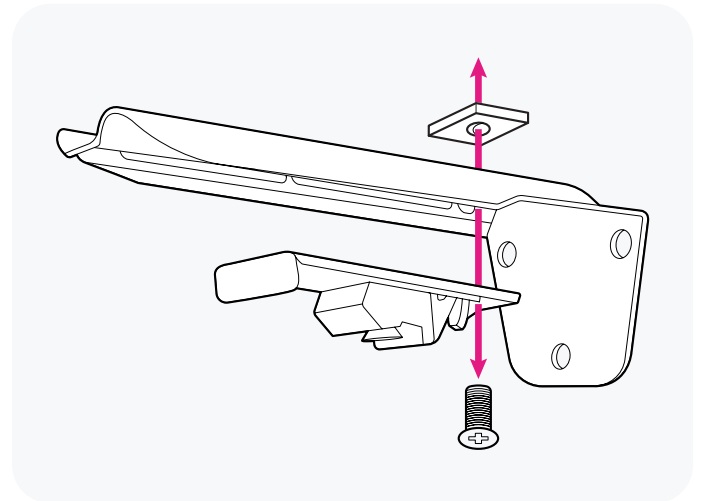


TOP-FIXING

Remove the second screw from the main bracket by removing the silver plate on top.

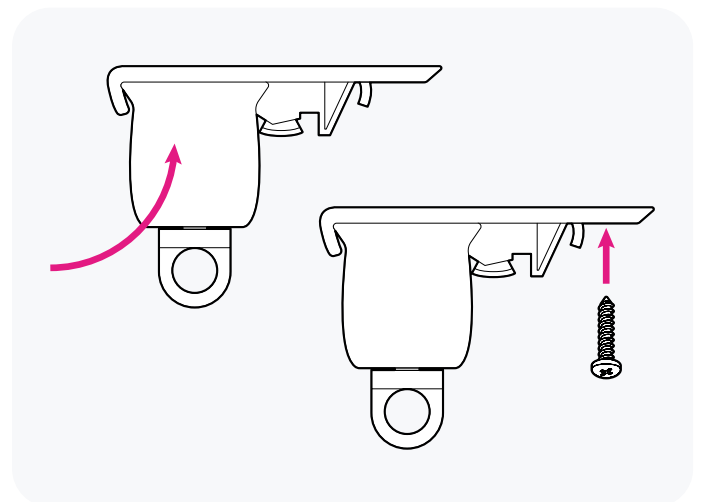
This will leave you with an excess L-shaped bracket, the screw plate and your new top-fix bracket. Store the larger L-shaped bracket and silver plate safely away. Install top-fix using the new screw hole.

When you're ready to fit your track, position your brackets a minimum of 10cm from each end, placing the remaining brackets equally across the width of the track.



Using the front underside of the bracket, hook your track and rotate back into place. You may need to apply a little pressure backwards on the white plastic lip behind the 1st screw located on the underside of the bracket to achieve this.

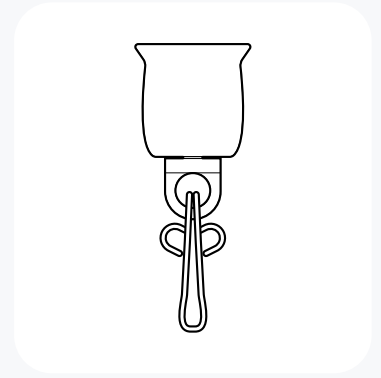
Once in place, adjust the same screw to tighten the hold to secure your track in place.



STEP 2 - HANGING THE WAVE CURTAIN

Your wave curtain will come with silver, zinc-plated hooks already installed. Simply loop these through the hook holes in the track to create neat folds.

Ensure the back of each end of the curtain is folded, so the lining is always hidden from room view.



CARE TIPS

You may need to 'train' your fabric into keeping shape. This is called adjusting the fabric memory.

To help set the waves, after hanging run your hands down each fold, working outside in. Some fabrics take longer than others to set, please ensure your curtain is kept 'open' up to 72 hours after hanging for the best possible result.

You may want to set the folds more firmly here, to do so simply keep your curtain 'stacked' in the open position and use spare fabric to band around the curtain. Ensure that you do not over-bandage the curtain, keeping the folds as straight as possible.

